

Double Toilet Roll Holder with Shelf

TSL.46

The TSL.46 is a double toilet roll holder with a concealed fixing, constructed from stainless steel.

All taps and accessories from The Splash Lab are fully compatible with the Concept Washroom range. By specifying directly with us, you gain exclusive project pricing, expert guidance from our specification team, and dedicated support from start to finish.

Finish	Codes	LRV*
● Satin	TSL.46.CS	58
● Black	TSL.46.BK	3
● Brass	TSL.46.BR	40
● Copper	TSL.46.CP	19
● Bronze	TSL.46.BZ	17

*Light reflectance value



Technical Data

Weight	0.86Kg
Stainless steel grade	AISI 304
Capacity	1 roll (Max size - 130mm dia x 110mm width x 35mm dia core)
Optional extras	TSLP,SH Shelf (Available in CS,BK,BR,BZ,CP)

Related documents

Installation and maintenance manual
Warranty document

Installation requirements

Substrate	Must be fixed to a hard surface
-----------	---------------------------------

Compliance & certificates

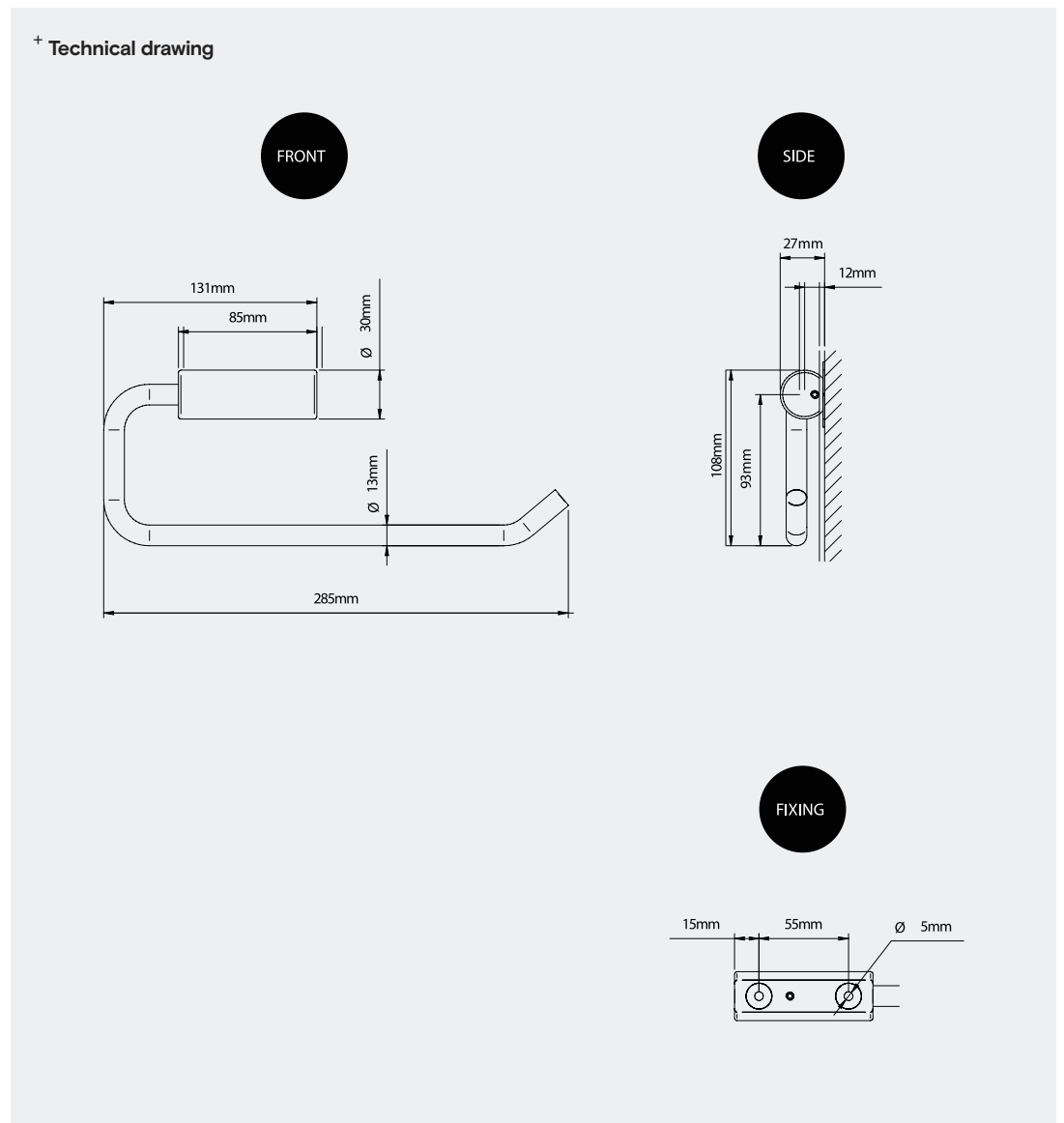
CE
UL
RoHS
UKCA

Included

TSL.46 Double Toilet Roll Holder

Mounting Template

+ Technical drawing



Warranty & Spare parts

For warranty terms and conditions please visit www.thesplashlab.com

If additional spare parts are required and are not listed below, please contact us at info.uk@thesplashlab.com

Related products



**Double Toilet Roll Holder
With Shelf**
TSL.49



Adjustable Bottle Trap
TSL.650



Coat Hook
TSL.974